

Merriott

QTL RADIATOR GROUP

Fascia & Fascia Grace



www.merriottuk.com

www.merriott.ie

What does Merriott stand for?

Merriott offers bespoke heating and cooling solutions that are the better choice for commercial applications across the UK and Ireland.

This means investing in world-class production facilities, and manufacturing products of the very highest standard – backed by revolutionary technology, rigorous testing and stringent quality control.

As a company, we have an unwavering commitment to innovation and sustainability, pioneering products that lead the way in design, performance and energy efficiency.

Underpinning all of this is our relationship with our customers: ensuring they can rely on best-in-class service and support, from specification right through to delivery.



Content

Range Overview	02
Range Options	03
Heat Outputs	04
Mounting Details	05
Conversion Information	06
Water Content & Dry Weights	07
How to Order	08

Range Overview

Product Range

The Merriott Fascia radiator range comprises of single, double and triple flat panel radiators with grilles and side panels. They are available in 5 heights, and lengths from 400mm - 2000mm (2000mm+ on request).

Outputs

The outputs quoted in this brochure are based on a Delta T of 50 °C.

All Merriott radiators are manufactured and tested in accordance with BS EN 442 and NF quality mark requirements in Merriott's state of the art BS EN ISO 9001:2008, accredited manufacturing facility in Newport, South Wales.

Finish

Every Merriott Fascia radiator undergoes an intensive pre-treatment process to protect against rust. The radiators are then finished with epoxy polyester powder in RAL 9016. These may be over painted off-site if required.

Packaging

The entire surface of the radiator, including all 4 corners, is protected by cardboard box ends and packed in shrink wrapped polythene.

Connections

Each Fascia radiator is manufactured with four 1/2" BSP connections.

Testing

All Fascia radiators are tested to 13 Bar with a maximum working pressure of 10 Bar.

Brackets

As standard, Merriott supply Fascia radiators with strip brackets (as depicted). When using a LST cover on the Fascia and Fascia Grace RT21 and RT22, a special RT bracket will be required. Speak to your sales contact.

Bracket Lugs

Two pairs of lugs are fitted on radiators up to and including 1600mm long. A third pair of lugs is fitted centrally on radiators that are 1800mm long and over.

Connections

Standard connections are 4 x 1/2" BSP (15mm) ABCD. All tapping-to-tapping dimensions can be obtained by subtracting 5mm from the nominal radiator length (accuracy = +/- 2mm).

Materials

Merriott Fascia radiators are manufactured from high quality cold-rolled steel with a nominal thickness of 1.2mm.

Warranty

Merriott Radiators are guaranteed for a period of 10 years from date of purchase in respect of defective materials and workmanship. The system should be designed in accordance with British Standard Code of Practice for Water Based Heating Systems in Buildings **BS EN 12828:2012+A1:2014** and **BS EN 12831: 2003**. The installation and commissioning of the system should comply with **BS EN 14336:2004**. On completion of the installation, the system should be properly flushed and filled in accordance with the British Code of Practice for the Treatment of Water in Domestic Hot Water Central Heating Systems **BS 7593:2006**, Part L of Building Regulations and Good Practice Guidance for Scotland. Merriott strongly recommends the use of corrosion inhibitor for all applications. Failure to observe these standards may invalidate the manufacturer's warranty.

Range Options

Fascia (PL)



Flat front panel

Fascia Grace (PH)



Flat front panel with linear design feature

Heat Outputs

Fascia & Fascia Grace Radiators



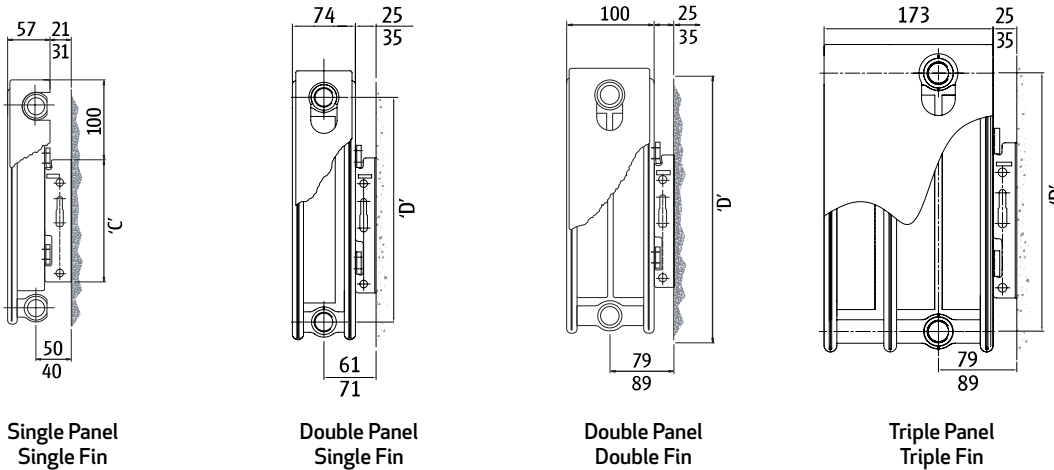
Nominal	Length	Single Panel Single Fin	Double Panel Single Fin	Double Panel Double Fin	Triple Panel Triple Fin
Height	mm	Watts $\Delta T50$	Watts $\Delta T50$	Watts $\Delta T50$	Watts $\Delta T50$
	400mm				
	400	253	374	502	728
	600	379	560	752	1092
	800	506	747	1003	1456
	1000	632	934	1254	1820
	1200	758	1121	1505	2184
	1400	885	1308	1756	2548
	1600	1011	1494	2006	2912
	1800	1138	1681	2257	3276
	2000	1264	1868	2508	3640
500mm	400	300	447	602	868
	600	449	671	902	1302
	800	599	894	1203	1736
	1000	749	1118	1504	2170
	1200	899	1342	1805	2604
	1400	1049	1565	2106	3038
	1600	1198	1789	2406	3472
	1800	1348	2012	2707	3906
	2000	1498	2236	3008	4340
600mm	400	346	516	696	1001
	600	518	774	1043	1501
	800	691	1032	1391	2002
	1000	864	1290	1739	2502
	1200	1037	1548	2087	3002
	1400	1210	1806	2435	3503
	1600	1382	2064	2782	4003
	1800	1555	2322	3130	4504
	2000	1728	2580	3478	5004
700mm	400	390	580	785	1127
	600	586	871	1177	1691
	800	781	1161	1570	2254
	1000	976	1451	1962	2818
	1200	1171	1741	2354	3382
	1400	1366	2031	2747	3945
	1600	1562	2322	3139	4509
900mm	500	600	873	1188	1707
	600	720	1047	1425	2048
	700	840	1222	1663	2389
	800	960	1396	1900	2730
	900	1080	1571	2138	3072
	1000	1200	1745	2375	3413
	1100	1320	1920	2613	3754
	1200	1440	2094	2850	4096
	1400	1680	2443	3325	4778

All heat output are in accordance with BS EN 442 certification.
Longer radiator available on request.

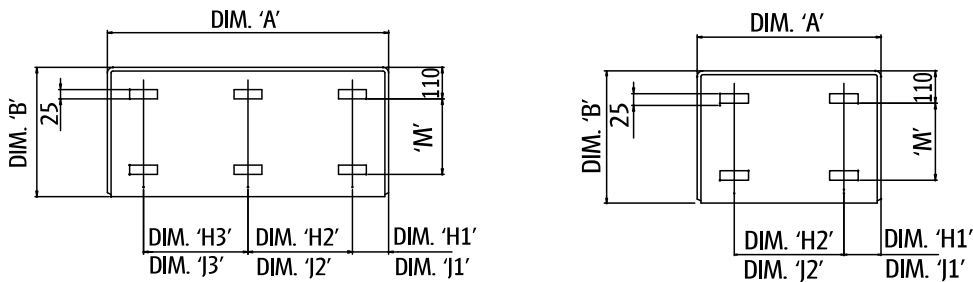
Mounting Details

Fascia and Fascia Grace

Note: The L-shaped mounting bracket has 2 arm lengths, therefore where the wall-to-back of radiator dimension shows 2 figures, the greater one is when using the short arm and the smaller one when using the long arm.



Dimensions						
Radiator height 'B'	300	400	500	600	700	900
Connection centres 'D'	253	353	453	553	653	853
Bracket lug length 'C'	137	237	337	437	537	737



Note: Dimensions H1, H2 and H3 refer to the lugs on the radiator panel. Dimensions J1, J2 and J3 refer to the lugs on the fin.

Bracket Lug heights						
B	300	400	500	600	700	
M	105	205	305	405	505	

Bracket Locations

	Radiator Length															
	400	500	600	700	800	900	1000	1100	1200	1300	1400	1500	1600	1800	2000	
A	395	495	595	695	795	895	995	1095	1195	1295	1395	1495	1595	1795	1995	
H1	122.5	122.5	122.5	122.5	122.5	122.5	122.5	122.5	122.5	122.5	122.5	122.5	122.5	122.5	122.5	
J1	135	160	160	160	160	160	160	160	160	160	160	160	160	160	160	
H2	150	250	350	450	550	650	750	850	950	1050	1150	1250	1350	775	875	
J2	75	175	275	375	475	575	675	775	875	975	1075	1175	1275	750	850	
H3	-	-	-	-	-	-	-	-	-	-	-	-	-	775	875	
J3	-	-	-	-	-	-	-	-	-	-	-	-	-	725	825	
QTY	4	4	4	4	4	4	4	4	4	4	4	4	4	6	6	

Conversion Information

The outputs quoted in this brochure are based on a Delta T of 50 °C.

To calculate other operating conditions, the following example should be applied:

EXAMPLE:

Add flow water temperature (75 °C) and the return water temperature (65 °C) together (140 °C), divide by two (70 °C) and then subtract the room temperature (20 °C). This will give you a Delta T factor of 50 °C.

Degrees Centigrade						
Delta T factors in °C and °F other than 50 °C (122 °F),	5 °C	0.0501	30 °C	0.5148	55 °C	1.1319
	10 °C	0.1234	35 °C	0.6290	60 °C	1.2675
	15 °C	0.2091	40 °C	0.7482	65 °C	1.4065
	20 °C	0.3039	45 °C	0.8720	70 °C	1.5487
	25 °C	0.4061	50 °C	1.0000	75 °C	1.6940

Water Contents & Dry Weights

To calculate, take the water content or dry weight per metre, divide by 1,000 and multiply by the length of the radiator desired.

The below applies to both Fascia and Fascia Grace radiators:

Water Content (L/M)					
	400mm	500mm	600mm	700mm	900mm
Single Panel Single Fin	2.2	2.7	3.1	3.5	4.4
Double Panel Single Fin	4.4	5.3	6.2	7.1	8.8
Double Panel Double Fin	4.3	5.2	6.1	7.0	8.8
Triple Panel Triple Fin	6.6	7.8	9.0	10.4	13.1

Dry Weight (Kg/M)					
	400mm	500mm	600mm	700mm	900mm
Single Panel Single Fin	17.0	21.0	25.0	29.1	37.2
Double Panel Single Fin	24.5	31.3	36.2	42.1	53.8
Double Panel Double Fin	28.3	35.4	42.4	49.6	63.7
Triple Panel Triple Fin	39.6	49.8	59.9	70.1	90.3

How to Order

Merriott UK (Manufacturing Facility)

QRL Radiator Group, Imperial Park, Newport, NP10 8FS

Tel: +44 (0) 1633 657 000

Fax: +44 (0) 1633 681 864

UK Enquiries

Tel: 01633 657 223

Fax: 01633 657215

Email: sales@merriottuk.com

Merriott Ireland

Derrylin, Co. Fermanagh, BT92 9AU

Irish Enquiries

Northern Ireland

Tel: 0800 389 9980

Fax: 0286 774 2998

sales@merriottuk.com

Republic of Ireland

Tel: 1800 882 332

Fax: 048 677 42 998

sales@merriott.ie

www.merriottuk.com / www.merriott.ie

Contact details

Merriott UK (Manufacturing Facility)

QRL Radiator Group, Imperial Park, Newport, NP10 8FS

Tel: +44 (0) 1633 657 000

Fax: +44 (0) 1633 681 864

UK Enquiries

Tel: 01633 657223

Fax: 01633 657215

sales@merriottuk.com

Merriott Ireland

Derrylin, Co. Fermanagh, BT92 9AU

Irish Enquiries

Northern Ireland

Tel: 0800 389 9980

Fax: 0286 774 2998

sales@merriottuk.com

Republic of Ireland

Tel: 1800 882 332

Fax: 0486 774 2998

sales@merriott.ie

www.merriottuk.com / www.merriott.ie

Follow us on  @merriottuk and 

Merriott
 RADIATOR GROUP

COMMERCIAL HEATING SPECIALISTS